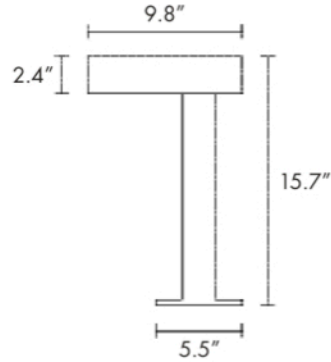


RUSTY PATHLIGHT Design by CDC



120VAC



ETL
WET



Socket/Bulb:
GX53/GX53 (excl.)
9W max.

Material:
FeCSi-steel
Inner housing: Aluminum

Accessory/Included parts:
Screws (incl.)

Note:
Each lamp is unique!

Versions:
iron rusted

Art. No.:
230090U

Recommended bulb:

- 9W, 2700K, 260lm
508860U
- GX53 LED 120V 5W 30° BEAM
350lm warm white 2100K
794002U
- GX53 LED 120V 5W 60° BEAM
350lm warm white 2800K
794012U



ACCESSORY for Rusty Pathlight



Earth spike
Steel galvanized
Product L: 19.6 in

Art. No.:
229422U



Connection box IP68
Plastic, 3-pole
Ø/L: 1/4.5 in

Art. No.:
228730U

SLV Lighting North America, Inc.

5731 Benjamin Center Dr. • Tampa, FL 33634

Main line: (813) 349-1900 • Fax line: (813) 349-1907 • www.slvlighting.com